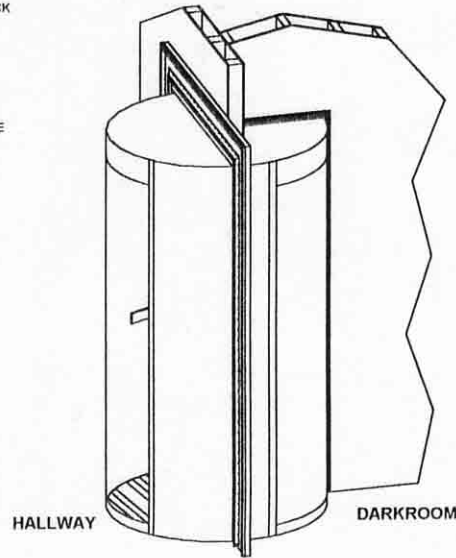
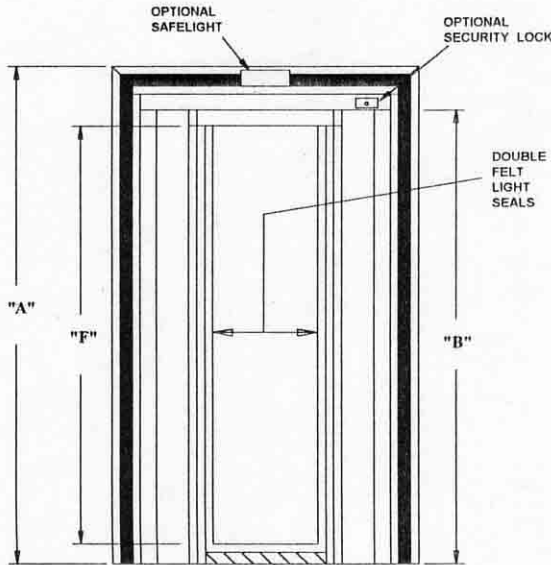
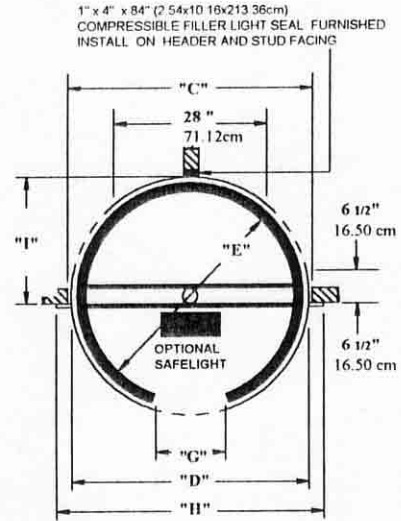
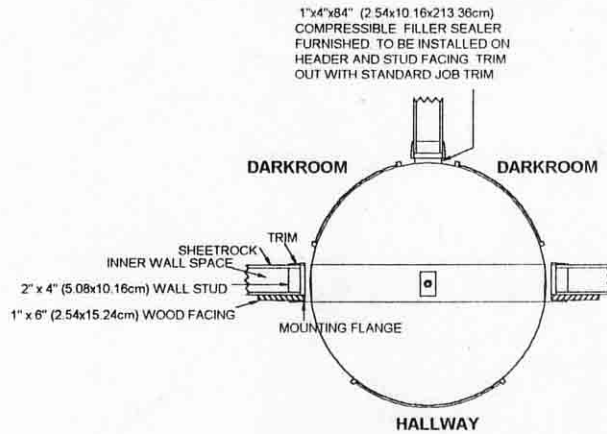


ESECO Speedmatic[®]

ABS & METAL THREE WAY 48 REVOLVING DARKROOM DOOR PERMANENT SHOP DRAWINGS



MADE IN
USA

KEY	DESCRIPTION	MODEL A.B.S. 3 Way 48	MODEL Metal 3 Way 48
A	Overall Height	82.25" (208.91cm)	82.25" (208.91cm)
B	Wall Opening Height	80" (203.20cm)	81" (205.74cm)
C	Wall Opening Width	49.5" (125.73cm)	49.5" (125.73cm)
D	Overall Diameter	46.75" (118.74cm)	46.75" (118.74cm)
E	Inside Diameter	45" (114.30cm)	45" (114.30cm)
F	Inside Height	74.75" (189.86cm)	74.75" (189.86cm)
G	Entrance	20" (50.80cm)	20" (50.80cm)
H	Overall Width	56.75" (144.14cm)	56.75" (144.14cm)
I	Distance to 3rd wall	28.5" (72.39cm)	28.5" (72.39cm)
	Door Weight	265 lbs. (120.20kg)	382 lbs. (173.64kg)
	Crated Weight	315 lbs. (142.88kg)	432 lbs. (196.36kg)

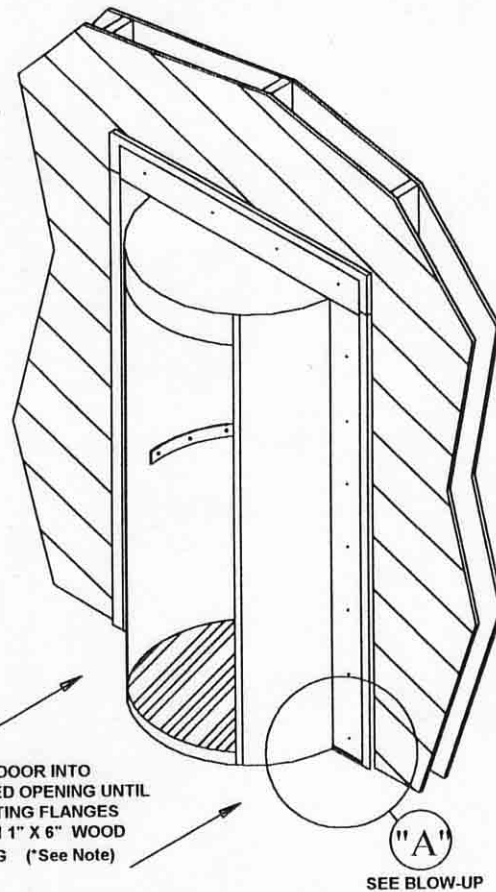
PERMANENT THREE WAY 48 REVOLVING DARKROOM DOOR

TAKE THE 1" x 4" x 84" COMPRESSIBLE FILLER LIGHT SEAL FURNISHED. INSTALL ON HEADER AND STUD FACING ON THE WALL COMING IN AT RIGHT ANGLE TO THE MOUNTING FLANGE WALL. TRIM OUT WITH STANDARD JOB TRIM.

SLIDE DOOR INTO FRAMED OPENING UNTIL MOUNTING FLANGE TOUCHES 1" X 6" WOOD FACING* AND THE DOOR IS AGAINST THE COMPRESSIBLE FILLER LIGHT SEAL OF THE THIRD WALL.

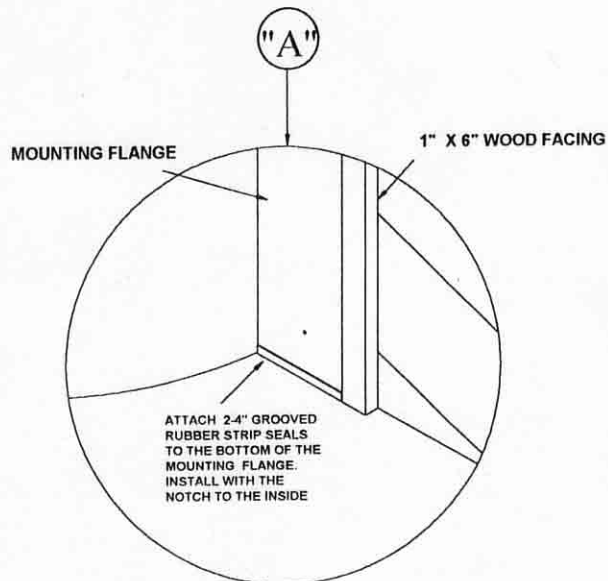
THE MOUNTING FLANGES ARE PRE DRILLED FOR MOUNTING ON THE WALL. SECURE ALL OF THE MOUNTING FLANGES TO THE WOOD FACING.

IF THE WALL IS NOT EVEN OR LEVEL PLACE A STRIP OF FOAM TAPE ALL THE WAY AROUND THE FLANGE BEFORE SECURING THE DOOR TO THE WALL. THIS WILL CREATE A LIGHT SEAL.

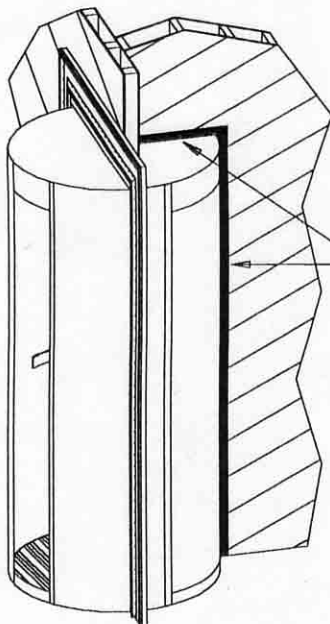


SLIDE DOOR INTO FRAMED OPENING UNTIL MOUNTING FLANGES TOUCH 1" X 6" WOOD FACING (*See Note)

SEE BLOW-UP



ATTACH 2-4" GROOVED RUBBER STRIP SEALS TO THE BOTTOM OF THE MOUNTING FLANGE. INSTALL WITH THE NOTCH TO THE INSIDE



1" x 4" x 84" COMPRESSIBLE FILLER LIGHT SEAL FURNISHED. INSTALL ON HEADER AND STUD FACING.

* NOTE: extrusion may be mounted directly on existing wall