



Revolving Darkroom Doors

ESECO

Speedmatic®

WWW.eseco-speedmaster.com

Why More People Choose ESECO Darkroom Doors

Fast delivery on standard sizes 28" to 54"
(Larger sizes special order)

For use in darkrooms, clean rooms, and laboratories. ESECO supplies ABS, clearview, and metal doors

ABS Lustran®
Will not dent
Will not corrode
Never needs painting

Only ESECO has an inside
hand rail for easy rotation

Only ESECO doors come
standard with a nonslip floor

Non slip ABS
wheelchair ramps



ADA wheelchair accessible model shown

ESECO-Speedmaster®

One ESECO Road, Cushing, OK 74023

Phone: (918) 225-1266 (800) 331-5904 Fax: (918) 225-1284

E-Mail: info@eseco-speedmaster.com



☆☆☆
MADE IN
USA

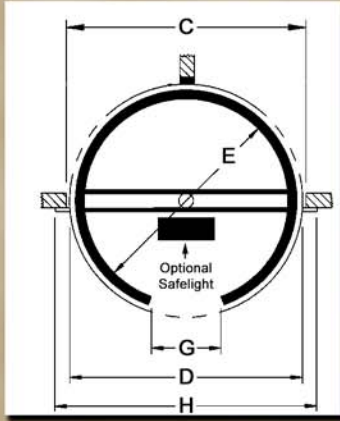


Revolving Darkroom Doors

ESECO

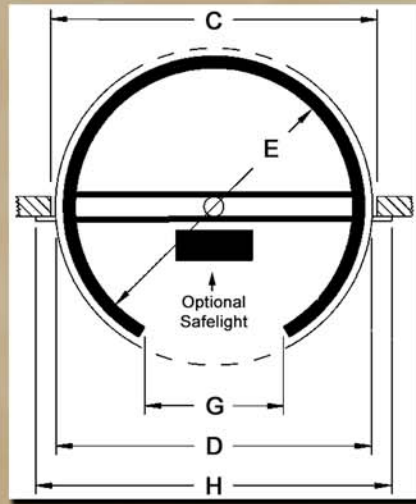
Speedmatic®

WWW.eseco-speedmaster.com

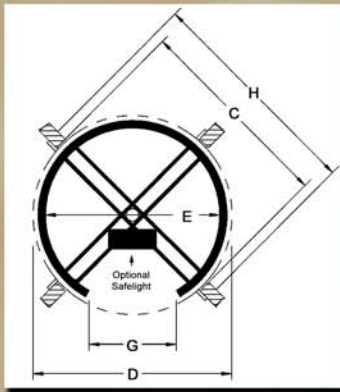


3
WAY

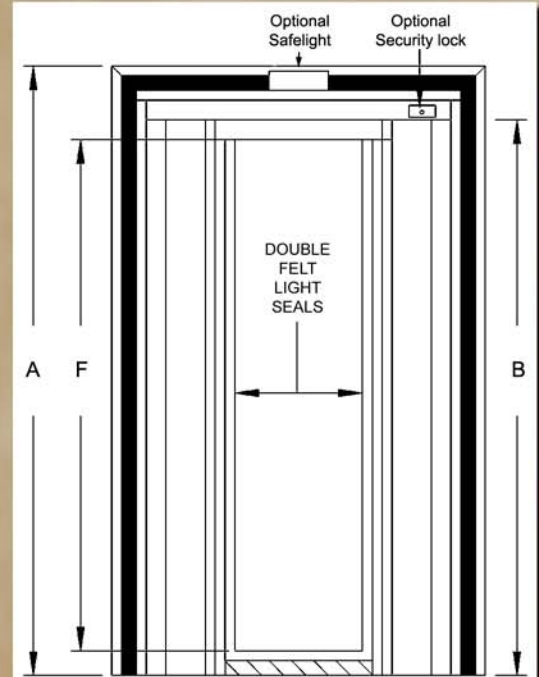
Specifications



2
WAY



4
WAY



A Wall height 82.25" (208.9cm)
B Wall opening height 81" (205.7cm)
F Inside height 74.75" (189.9cm)

	2W28	2W36	2W41	2W48	2W54	2W65	3W48	3W72	4W54
--	------	------	------	------	------	------	------	------	------



C	Wall Opening	in	29	36	42	49.5	56	67	49.5	78	56
	Width	cm	73.66	91.44	106.68	125.73	142.24	170.18	125.73	198.12	142.24
D	Overall	in	28	35	40.5	46.75	53	65.25	46.75	74.75	53
	Diameter	cm	71.12	88.9	102.87	118.75	134.62	165.74	118.75	189.87	134.62
E	Inside	in	25.5	32.5	38.5	45	51	63.5	45	69.5	51
	Diameter	cm	64.77	82.55	97.79	114.3	129.54	161.29	114.3	176.54	129.54
G	Entrance	in	18	21.5	26	30	36	42	20	36	18
	Width	cm	45.72	54.61	66	76.2	91.44	106.68	50.8	91.44	45.72
H	Overall	in	34.88	41.88	47.38	53.63	62.88	72.13	53.63	78.88	62.88
	Width	cm	88.6	106.68	119.38	136.14	159.72	183.21	136.14	200.36	159.72
	ABS Door	lbs	157	187	200	265	315	517	285	641	365
	Weight	kg	71	85	91	120	143	235	129	291	166
	ABS Door	lbs	203	233	248	315	365	650	335	834	415
	Crated Weight	kg	92	106	112	143	166	295	152	378	186
	Metal Door	lbs	227	270	290	382	454		382		
	Weight	kg	103	122	132	173	206		173		
	Metal Door	lbs	305	350	372	473	548		473		
	Crated Weight	kg	138	159	169	215	249		215		

These sizes apply to ABS and metal, popout and permanent
Note: Hinge models - Add 2 inches to C Add 3 inches to H



Revolving Darkroom Doors

ESECO

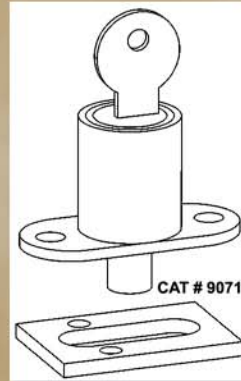
Speedmatic®

WWW.eseco-speedmaster.com

Door Options

- Catalog #9031 Wheelchair ramps for 54" door
- Catalog #9041 Wheelchair ramps for 65" door
- Catalog #9171 Wheelchair ramps for 3 way 72" door
- Catalog #9071* Security lock, Plunger lock
- Catalog #9072* Security lock, Corbin master key cylinder
- Catalog #9075* Safelight (requires 110 Volt power AC)

(*)Denotes factory installed options



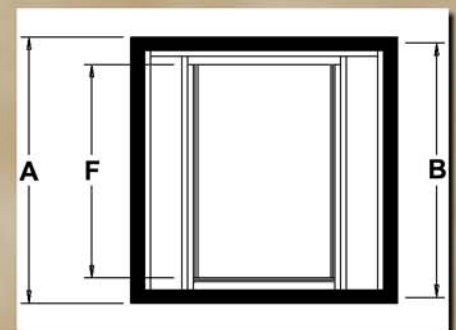
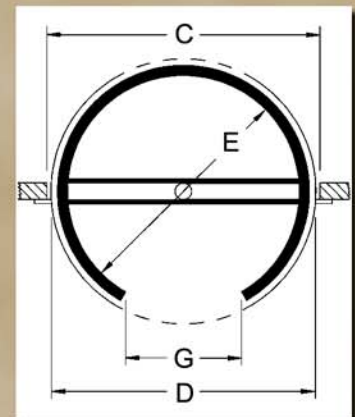
Pass - Through Windows

Pass-through windows allow access to the darkroom for material handling. Personnel inside the darkroom can conveniently send and receive sensitized goods such as x-ray film, or specimen without disturbing the routine work flow. Rotating pass-through windows are normally installed at a height 36" to 42" from the floor eliminating potential safety hazards when working in darkroom conditions. The pass-through window is manufactured of high impact ABS and will not dent or require painting. Bottom center glide bearings provide smooth and quiet operation. Felt entry seals assure light tight operation.



PT20S PT22C PT28C PT36F PT28F

		PT20S	PT22C	PT28C	PT36F	PT28F
A Overall Height	in	20.5	29	29	42.5	42.5
	cm	52.1	73.7	73.7	108	108
B Wall Opening Height	in	21	29.5	29.5	40.5	40.5
	cm	53.3	74.9	74.9	102.9	102.9
C Wall Opening Width	in	21	22.5	28.5	36	29
	cm	53.3	57.2	72.4	91.4	73.7
D Overall Diameter	in	20.5	22	28	35	28
	cm	52.1	55.9	71.1	88.9	71.1
E Inside Diameter	in	18.125	19.5	26	32.5	25.5
	cm	46	49.5	66	82.6	64.8
F Inside Height	in	18.5	27	27	35.5	35.5
	cm	47	68.6	68.6	90.2	90.2
G Entrance Width	in	12	13	18	21.5	18
	cm	30.5	33	45.7	54.6	45.7
Window Weight	lbs	90	100	105	110	100
	kg	41	45	48	50	45
Crated Weight	lbs	145	155	160	165	155
	kg	66	70	73	75	70





Revolving Darkroom Doors

ESECO*Speedmatic®*WWW.eseco-speedmaster.com

GUIDE SPECIFICATIONS

PART 1 - GENERAL

1.1 SYSTEM DESCRIPTION

Revolving Darkroom Doors are light-safe for handling light sensitized materials. Unrestricted easy operator access and exit for any type of darkroom.

1.2 QUALITY ASSURANCE

We, the manufacturer, certify that the material has been manufactured and tested in accordance with standard trade practices and is free from defects in material and workmanship at the time of shipment from the factory.

1.3. REFERENCES

ESECO Revolving Darkroom Doors have been in use since 1969. Installations of Speedmatic® Revolving Darkroom Doors include thousands of commercial, government, hospitals, and industrial customers. A list of users will be furnished upon request.

1.4. WARRANTY

ESECO warrants this equipment to the original purchaser as follows: Should any Speedmatic® Door fail to perform as specified within a period of thirty (30) months from date of installation, because of a factory defect in parts or workmanship, we agree to make it function as good as new again without hassle.

PART 2 - PRODUCTS

2.1. ACCEPTABLE MANUFACTURER

ESECO-Speedmaster®

2.2 COMPONENTS

DOOR:

ABS Door: 0.090" (0.229 cm) thick **Black Dow Lustran**, a rigid high-impact Acrylonitrile Butadiene Styrene, manufactured by Monsanto Chemical Company. The **Dow Lustran** material will not dent, crack or tear upon impact. This material will also retain its original shape when accidentally struck and will not rust in the humid photo lab environment. ABS is a petroleum hydrocarbon. Flash Point 730°F - 752°F (388°C - 400°C) degrees. Flame class UL-94 HB.

(Metal doors also available)

SUPPORTS:

The inner rotating cylinder is center-suspended with a sealed

thrust ball bearing, rubber shock mounted. This cylinder is contained in a U-shaped track that provides perfect rotation. Formed metal side flanges provide permanent rigidity.

PAINT:

All corrosion treated metal parts are coated with black Polane matte paint to reduce reflection of stray light.

ATTACHMENTS:

All entrance and exit openings are reinforced by 1"×1" (2.5 cm × 2.5 cm) square aluminum tubing.

SAFETY HARDWARE:

Pop-out type breakaway system. J shaped aluminum extrusion with 0.25" (0.64 cm) recess is secured to the wall and an identical extrusion is fastened to the rotating door flanges. This is on the top and both sides of the door. The door is pushed into position and a 2"×0.125" (5 cm × 0.318 cm) flexible neoprene strip is inserted into the groove. Removal of the door is accomplished by pushing or pulling on the door. The flexible neoprene strip disengages from the extrusion, allowing immediate access.

FLOORING:

Flooring is two circular pieces of ¾" plywood attached to the door. It is covered with a black rubber non-slip mat.

INTERNAL HANDRAIL:

A convenient handrail facilitates operation from the inside of the door.

EXTERNAL FINGER GRIPS:

Operation from the outside of door through recessed finger grips in the rotating cylinder.

FLUORESCENT MARKERS:

Luminescent fluorescent markers are provided for easy location in the dark when the door is rotated.

PART 3 - EXECUTION

3.1. INSTALLATION

Outer wall must be flat for a distance of 5" (12.7 cm) top and sides. No doorframe needed. Inside wall may be trimmed out. Floor must be leveled and smooth. Normal installation time: 1 man/hour.

3.2 PREPARATION

The Speedmatic® door is normally shipped boxed, skidded, and assembled ready to install.

3.3 ERECTION

Knockdown doors are available for on-site assembly. Shipped with complete instructions. Allow 1.5 hour assembly time.